

MGA ISS 19

Coupling transformer

DO-160 Section 19,
19.3.1, 19.3.2, 19.3.3, 19.3.4

- Fully automatic tests in conjunction with the MGA 1033 Magnetic Field Generator / - Analyzer
- Magnetic field and electric field sensitivity tests with one unit



Suitable as an accessory for the magnetic field generator MGA 1033!

Overview

Fully automatic tests in conjunction with the MGA 1033 Magnetic Field Generator / - Analyzer. Magnetic field and electric field sensitivity tests with one unit.

The ISS-19 comes with a 10-meter high-voltage cable.

Key facts

- Scope of delivery: Connection cable included, **10-meter high voltage cable**
- Recommended as accessory for the magnetic field generator / analyzer MGA 1033!

Technical data I

MGA ISS-19

19.3.1	20 A @ 400 Hz
19.3.2	120 Am – 0,8 Am / 350 Hz – 32 kHz (Test length 3 m)
19.3.3	5400 Vm - 135 Vm / 350 Hz – 32 kHz (Test length 3 m)
19.3.4	5400 Vm – 135 Vm / 350 Hz – 32 kHz (Test length 3 m)

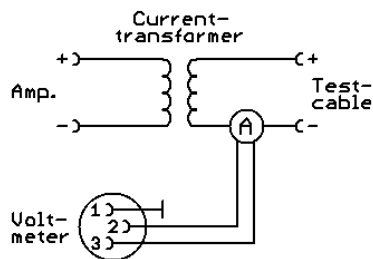
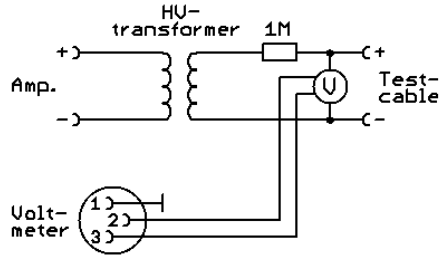
Alternating current	230 VAC / 50 Hz
Connector	SHV Connector
Dimensions (L x W x H)	183,5 x 111 x 300 mm
Weight	appr. 6,5 kg



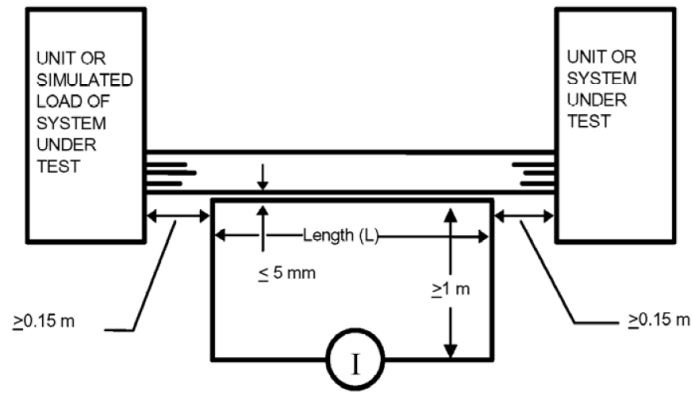
MGA ISS 19

Coupling transformer

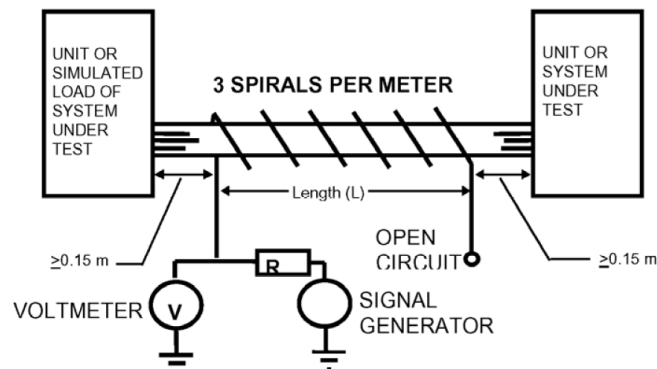
Technical data II: Block diagram



Technical data III: Audio Frequency Magnetic Field Susceptibility Test Setup



Technical data IV: Audio Frequency Electric Field Susceptibility Test Setup



MGA ISS 19

Coupling transformer

Technical data V: Connectors



Connect to MGA 1033 Output

Connect to MGA 1033 – Voltage Input

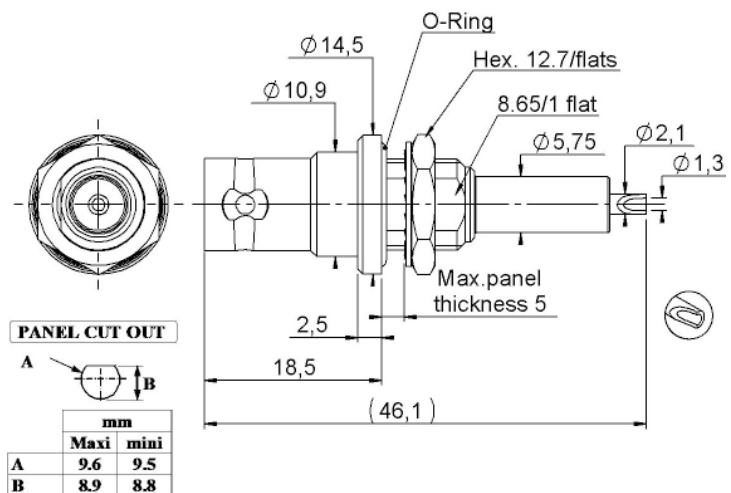
This connector is an SHV connector.

Toggle between high voltage and high current mode

Connect to high current cable

Details SHV connector

Impedance	50 Ω
Frequency	0 - 2 GHz
VSWR	1.2 + 0,3000 xF (GHz) Maxi
Voltage rating	6000 Veff (DC) 3500 V ms (AC)
Dielectric withstanding voltage	10000 Veff mini
Insulation resistance	5000 MΩ
Oper. temperature	-65/ +165 °C



All dimensions are in mm.

Components		
	Materials	Plating (µm)
Body	Brass	Nickel
Center contact	Brass	Gold over Nickel
Insulator	PTFE	
Gasket	Silicone rubber	
Other parts	Brass	Nickel

All information regarding appearance and technical data correspond to the current state of development at the time of release of this data sheet. Errors and technical changes excepted. 302603

