

Ag

Cu

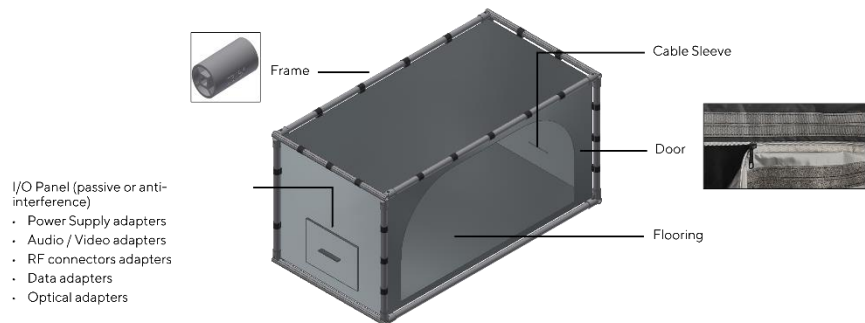
Ni

Sn

Shieldex® RF Enclosure Table Top

RF - X TBZN3S

Series	T-Series
Inner size of the enclosure	610 x 1220 x 610 mm (LxWxH)
Outer size of the frame	752 x 1362 x 732 mm (LxWxH)
Material Construction	
Triple Layer	Shieldex® Nora Dell RS CR Shieldex® Zell RS Shieldex® Berlin RS
Clean Room	Clean Room compatible to A300 (Class 1000)
Shielding Effectiveness	Average 80 dB in a frequency range of 0.3 GHz - 18 GHz
Included	Cable Sleeve, Door, Flooring, Aluminum Frame, Transportation Bag, Repair Kit, Tool, Installation Manual
Optional	I/O Panel, Ventilation System, Window
Storage and Handling	According to our care and handling instructions
Compliance and Certification	DIN EN ISO 9001:2015, REACH, RoHS



Alterations Reserved 17.09.21/01 – The above information has been compiled from our manufacturer area according to the latest state of development and application technology. Since application and further processing are beyond our control, no liability of the producer can be derived from the contents of the data sheet. All deviant or transcending data sheet information must be confirmed in written form by the manufacturer. Our general terms and conditions apply in all cases. All previous data sheets are invalid with the publication of this data sheet. Please note our handling and storage instructions as well accessible at www.shieldex.de.