

Phase Shifters



DC-18 GHz

Broadband Phase Shifters

- Broadband Coverage
- Low VSWR
- Adjustable via Micrometer Drive or Knob with Lock Nut (model-dependent)

Specifications

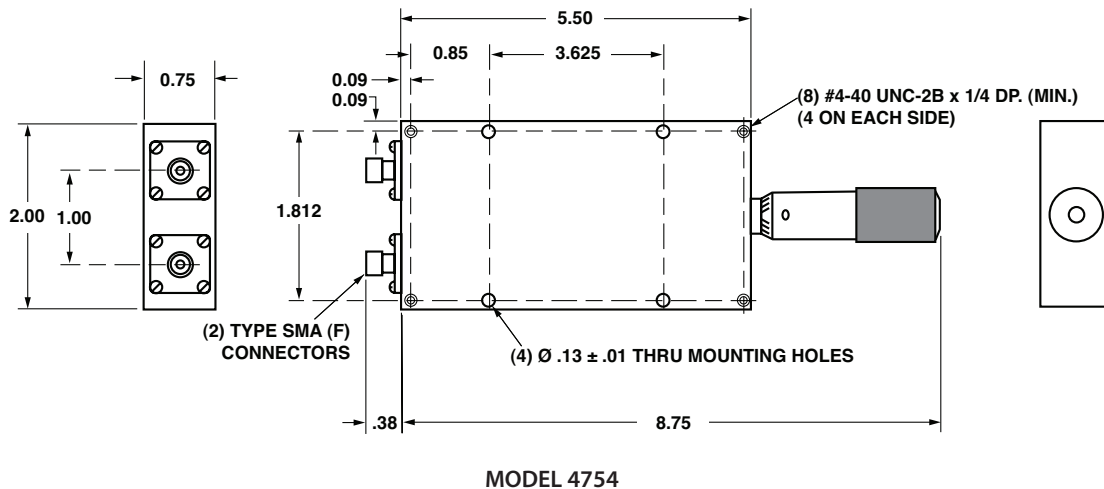
SMA (F), DC to 18 GHz

FREQUENCY RANGE (GHz)	MODEL	MINIMUM PHASE SHIFT	POWER		INSERTION LOSS (dB max.)	VSWR (max.)	CONNECTORS	WEIGHT (max.)	
			AVERAGE (W)	PEAK (kW)				oz.	gr.
DC-18	4754*	60° / GHz 360° at 6 GHz	100	5	DC-8 GHz: 0.50	DC-4 GHz: 1.3	SMA (F)	15.4	437
					8-12 GHz: 0.75	4-12 GHz: 1.5			
					12-18 GHz: 1.00	12-18 GHz: 1.6			
DC-18	4755**	60° / GHz 360° at 6 GHz	100	5	DC-8 GHz: 0.50	DC-4 GHz: 1.3	SMA (F)	13.4	380
					8-12 GHz: 0.75	4-12 GHz: 1.5			
					12-18 GHz: 1.00	12-18 GHz: 1.6			

* Micrometer Drive

** Knob

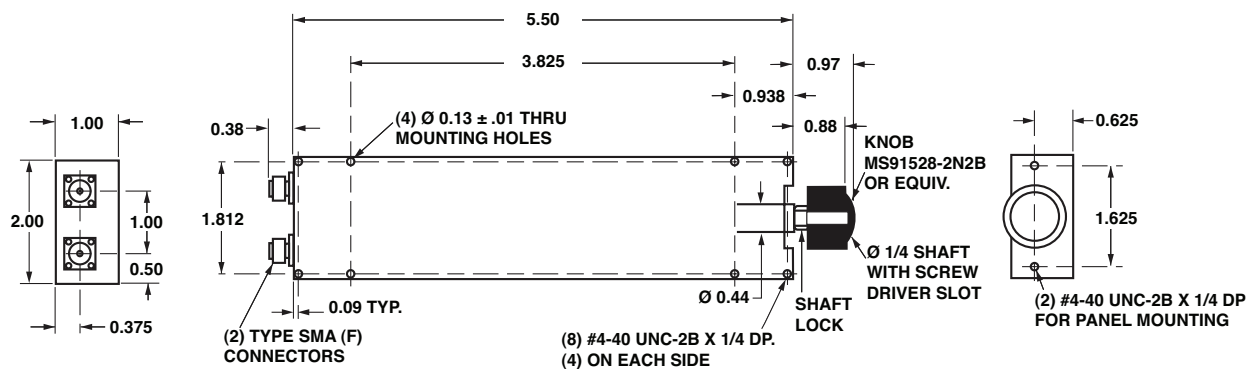
Outline Drawing



Dimensions in inches, unless otherwise specified.

Phase Shifters

Outline Drawing



MODEL 4755

Dimensions in inches, unless otherwise specified.