

RIGOL

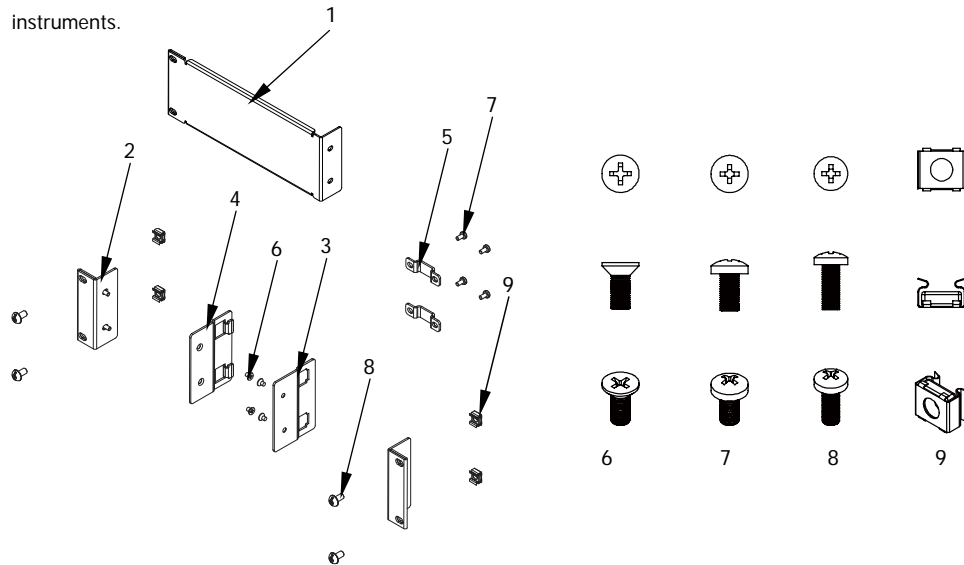
DG1000 Rack Mount Kit

This rack mount kit is designed to mount **RIGOL** DG1000Z series function/arbitrary waveform generator into a 19-inch cabinet that conforms to the Electronic Industries Association (EIA) standard.

Kit Part Checklist

No.	Name	Qty.		Description
		RM-1-DG1000Z ^[1]	RM-2-DG1000Z ^[1]	
1	Front Plate	1	None	--
2	Fastener	1	2	--
3	Connecting Plate A	None	1	--
4	Connecting Plate B	None	1	--
5	Retaining Bracket	None	2	--
6	M4 Countersunk Flat Head Screw	None	4	M4x10 Phillips Pan Head Screw
7	M4 Pan Head Screw	4	8	M4x8 Phillips Pan Head Screw
8	M6 Pan Head Screw	4	4	M6x16 Phillips Pan Head Screw
9	M6 Nut	4	4	M6 Square Lock Cage Nut

Note^[1]:RM-1-DG1000Z is designed for installing a single instrument, and RM-2-DG1000Z for two instruments.



Installation Tool

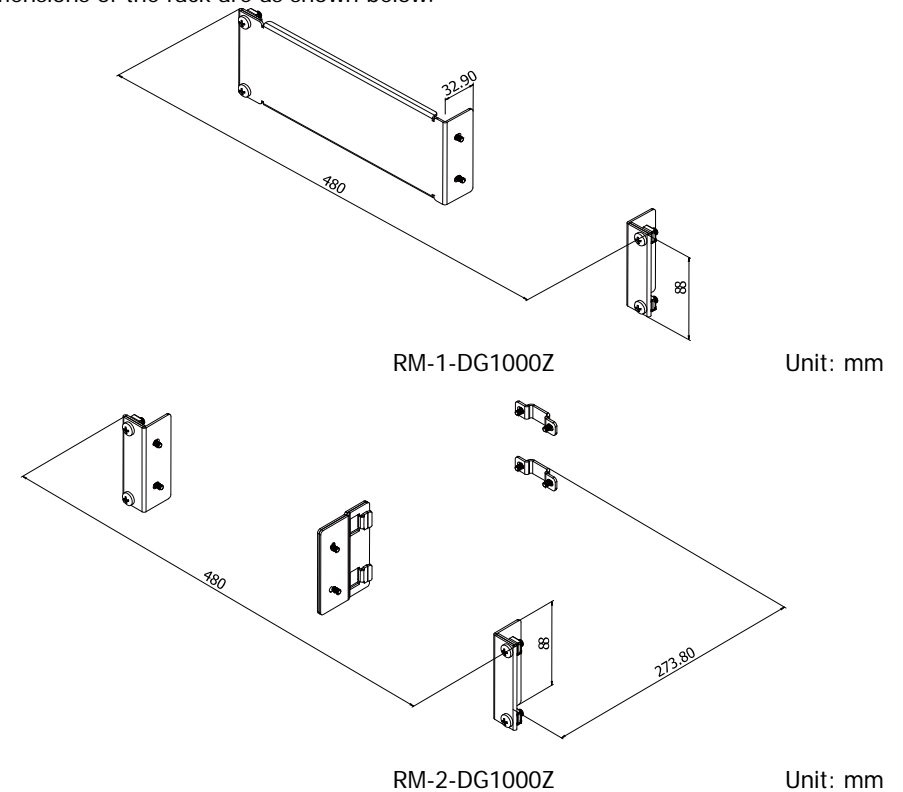
The PH2 Phillips screwdriver and T20 Phillips screwdriver are recommended.

Space Requirements

To mount the instrument into the cabinet correctly, please ensure that the following requirements are met.

- The cabinet must be a standard 19-inch one.
- The available height of the cabinet should be at least 2U (88mm).
- The depth of the cabinet should be at least 400mm.

The dimensions of the rack are as shown below.



Installation Procedures



CAUTION

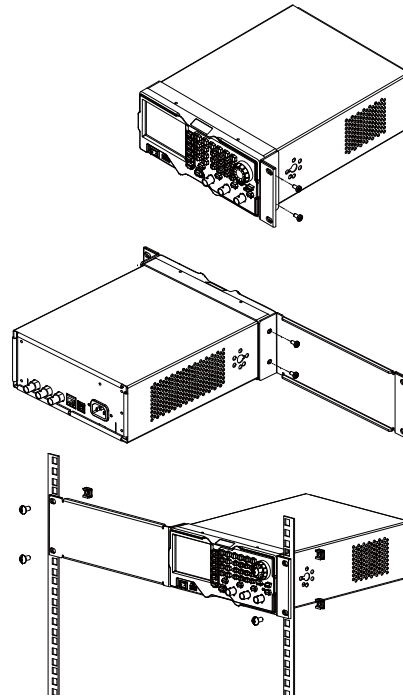
Only authorized operators are allowed to perform the installation. Improper installation might cause damage to the instrument or an installation failure.

Pre-Installation Preparation: Disassemble the handle and protective rubber covers

1. Rotate the handle upright. Then, pull it out from the sides of the instrument to remove it.
2. Use the T20 Phillips screwdriver to remove eight M4 screws at four corners of the front panel and four M4 screws at four corners of the rear panel. Then, take off the eight protective rubber covers.

Mount a single instrument (Requiring to order a set of RM-1-DG1000Z)

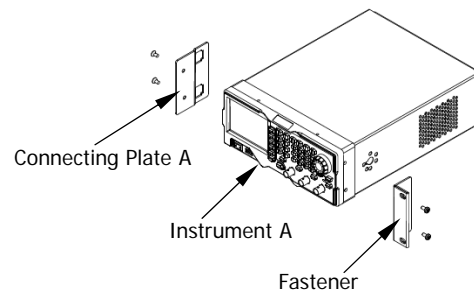
1. Attach the fastener to one side of the front panel, then secure the fastener with two M4 pan head screws.
2. Attach the front plate to the other side of the front panel, then secure the plate using two M4 pan head screws.
3. Mount the assembled instrument and rack into a standard 19-inch cabinet using four M6 pan head screws and four M6 square nuts.



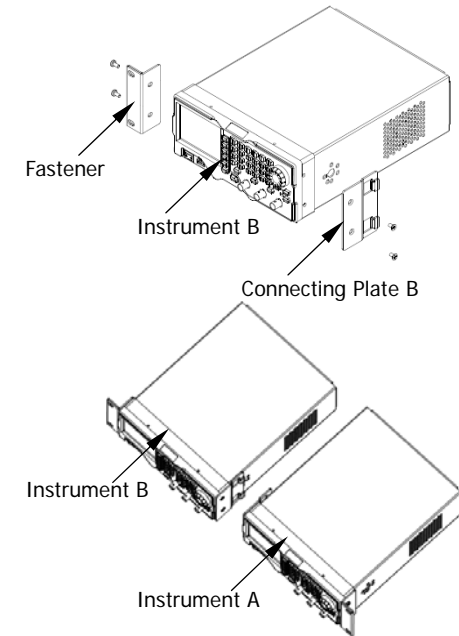
-End-

Mount two instruments (Requiring to order a set of RM-2-DG1000Z)

1. Attach one fastener to the right side of the front panel of Instrument A, then secure the fastener with two M4 pan head screws. Attach Connecting Plate A to the left side of the front panel of Instrument A, and then use two M4 countersunk head screws to fasten Connecting Plate A to Instrument A.

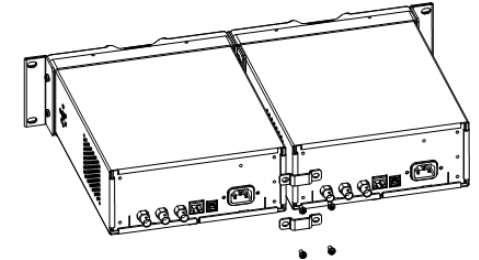


2. Attach another fastener to the left side of the front panel of Instrument B, then secure the fastener with two M4 pan head screws. Attach Connecting Plate B to the right side of Instrument B, and then use two M4 countersunk head screws to fasten Connecting Plate B to Instrument B.

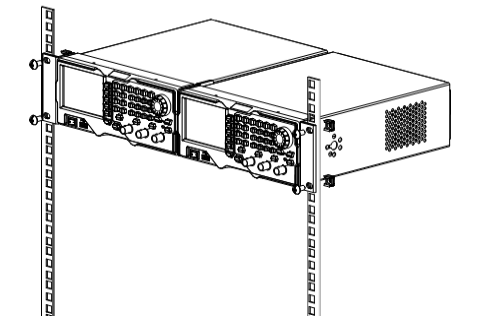


3. Joint Connecting Plate A with Connecting Plate B.

4. Place two retaining brackets onto the connecting position of rear panels of two instruments, and then secure the retaining brackets with four M4 pan head screws.



5. Mount the assembled instrument and rack into a standard 19-inch cabinet using four M6 pan head screws and four M6 square nuts.



-End-